

HUBNETIX NSR Series

Standing Network Rack



Description

HUBNETIX Network Rack provides cooling, power distribution, cable management, and environmental monitoring for application in IT environment.

- Optional doors are available
- Enough cabling space inside 800mm wide rack
- Static loading capacity up to 800 kg.

HUBNETIX NSR series network rack specially designed for network servers of high density in IT environment. With accessories of bracket, cable manager, PDU fixing slot, high quality locks, supply safe place for important IT equipment.

Highlights



Optional doors

The front door is made of toughened glass or vented holes, which is at your choice.

Easy Transportation

NSR series network cabinet can be shipped in knock-down or flat-packed method whose packing dimension can be reduced by 2/3.

More Space for Cable Management

About 20 popular sizes can be selected and can be used with almost all HUBNETIX's rack accessories from cable management, cooling fan, PDU, etc.

Various Sizes

The width from 600mm to 800mm, the height from 18U to 47U, the depth of 600mm, 800mm, 1000mm, the rich choice of models can meet all your requirement in data center.

Standing Network Rack

Application

- Support patch panels and fiber enclosures or a mix of patch panels, fiber enclosures and switches when cabinets are deployed in data centers or other network facilities

Key Features

Adjustable Mounting Rails

- Front and rear sets of vertical rails adjust in quarter-inch increments.
- Adjustment is quick and convenient simply unscrew the rails, slide them to the required depth and refasten.

Optional Fan Tray on the Top Cover

- Optional Fan tray (2 fans for 600mm, 4 fans for 800mm or 1000mm deep rack) allow air flow in the cabinet

Easy structure for assembly

- Easy structure for assembly will shorten your work period

Advanced Lock

- The security highly ensured by advanced lock

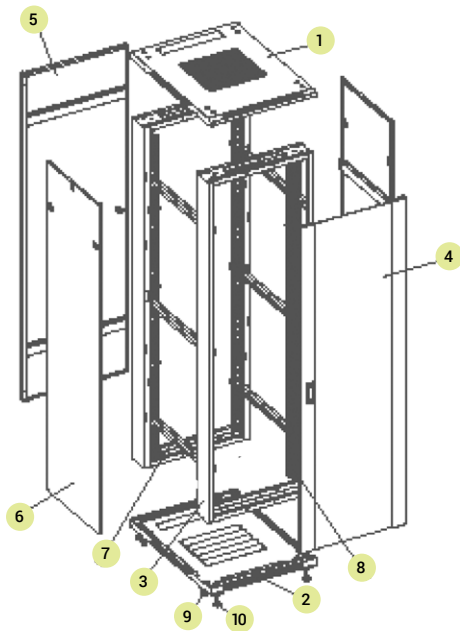
Removable Side Panels

- Lockable side panels ease maintain and removable

Adjustable Levelling Feet and Casters (2 with brake)

- Adjustable levelling feet and casters (with brake) are available simultaneously

NSR Series Rack - Components (600mm)



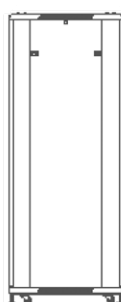
S/N	Name	Quantity
1	Top panel	1
2	Bottom panel	1
3	Door frame	2
4	Front door	1
5	Rear door	1
6	Side panel	2
7	Horizontal beam	6
8	Vertical rail	4
9	Caster (2 with brake)	4
10	Levelling feet	4

Note: ≤32U with 4 horizontal beam

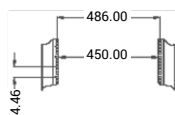
Main Dimension - 600mm



Front View



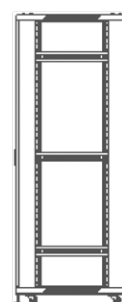
Side View



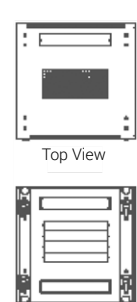
Mounting Dimension



Rear View



Side View (without side panel)



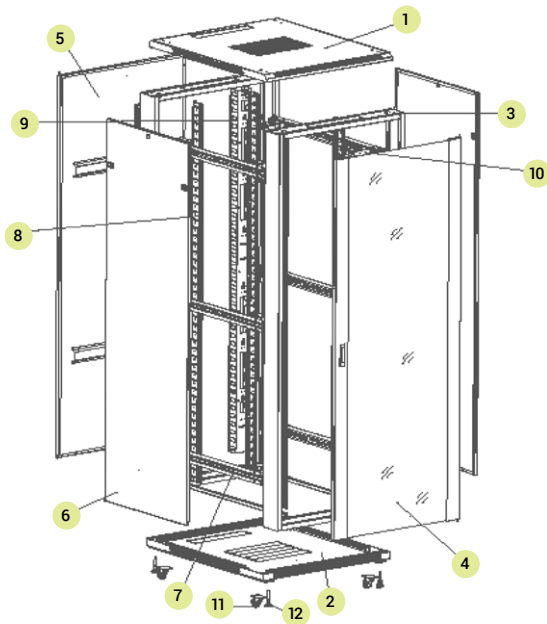
Top View

Bottom View

Standing Network Rack



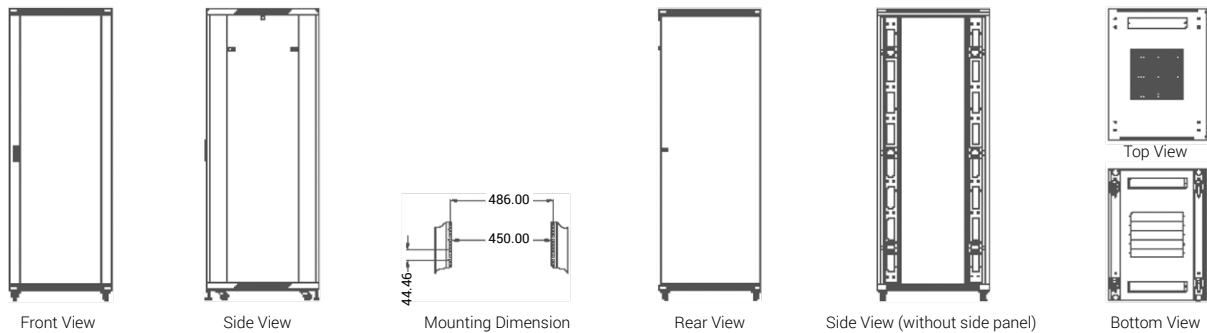
NSR Series Rack - Components (800mm)



S/N	Name	Quantity
1	Top panel	1
2	Bottom panel	1
3	Door frame	2
4	Front door	1
5	Rear door	1
6	Side panel	2
7	Horizontal beam	6
8	Vertical rail	4
9	Cable management rail	2
10	Connecting box	12
11	Caster (2 with brake)	4
12	Levelling feet	4

Note: 1. ≤32U with 4 horizontal beam, 2. >32U with 8 connecting box

Main Dimension - 800mm



Part Number Builder

Part Number Example		Description						
HCS-NSR61042-1X		HUBNETIX CABLINE, NSR Series, 600mm Width, 1000mm Depth, 42U Capacity Standing Network Rack						
H	C	S	NSR	6	10	42	1	X
Hubnetix Prefix			Product Code	600mm (W)	1000mm (D)	42U Capacity	Door Style	Color

Specification

Part Number	Capacity (U)	Width	Depth	Height
HCS-NSR6618-1X	18	600 mm	600 mm	988 mm
HCS-NSR61022-1X	22	600 mm	1000 mm	1166 mm
HCS-NSR6622-1X	22	600 mm	600 mm	1166 mm
HCS-NSR6822-1X	22	600 mm	800 mm	1166 mm
HCS-NSR8822-1X	22	800 mm	800 mm	1166 mm
HCS-NSR6627-1X	27	600 mm	600 mm	1388 mm
HCS-NSR6827-1X	27	600 mm	800 mm	1388 mm
HCS-NSR8827-1X	27	800 mm	800 mm	1388 mm
HCS-NSR6632-1X	32	600 mm	600 mm	1610 mm
HCS-NSR6832-1X	32	600 mm	800 mm	1610 mm
HCS-NSR6637-1X	37	600 mm	600 mm	1833 mm

Standing Network Rack



Specification

Part Number	Capacity (U)	Width	Depth	Height
HCS-NSR6837-1X	37	600 mm	800 mm	1833 mm
HCS-NSR8837-1X	37	800 mm	800 mm	1833 mm
HCS-NSR61037-1X	37	600 mm	1000 mm	1833 mm
HCS-NSR6642-1X	42	600 mm	600 mm	2055 mm
HCS-NSR6842-1X	42	600 mm	800 mm	2055 mm
HCS-NSR8842-1X	42	800 mm	800 mm	2055 mm
HCS-NSR81042-1X	42	800 mm	1000 mm	2055 mm
HCS-NSR61042-1X	42	600 mm	1000 mm	2055 mm
HCS-NSR6647-1X	47	600 mm	600 mm	2277 mm
HCS-NSR6847-1X	47	600 mm	800 mm	2277 mm
HCS-NSR8847-1X	47	800 mm	800 mm	2277 mm
HCS-NSR61047-1X	47	600 mm	1000 mm	2277 mm
HCS-NSR81047-1X	47	800 mm	1000 mm	2277 mm

Note: Optional: Different types of doors, Ornament Strip. Hardware: ≤27U: 20 sets cage nuts, >27U, ≤37U: 30 sets cage nuts, >37U, ≤47U : 40 sets cage nuts, X=B for Black, G for Grey

Optional Accessories

- Fixed Shelf
- Sliding Shelf
- Cable Management
- Cooling Solution
- Air Flow Management
- PDU

Optional Doors



Door: Tempered glass with vented strips
Lock: Spring



Door: Tempered glass with vented holes
Lock: Spring



Door: Tempered glass
Lock: Advanced



Door: Solid iron
Lock: Small Round



Door: Arc and curved
Lock: Spring



Door: Hexagonal vented curved
Lock: Spring



Door: Round vented arc
Lock: Spring



Door: Round vented
Lock: Small round



Door: Round vented
Lock: Advanced



Door: Hexagonal vented
Lock: Moon Light



Door: Split vented rear
Lock: Moon Light



Door: Tempered glass
Lock: Advanced

HUBNETIX CORPORATION
71-75, Shelton Street, London, UK.
www.hubnetix.com

The dimensions and specifications in this document are for reference purposes only and are subject to change without notice. Consult HUBNETIX Corp. for the latest dimensions and design specifications.

