

HUBNETIX WDS Series

Double Section Wall Mount Cabinet



Description

HUBNETIX WDS series double section is really suitable for server rooms, audio rooms, wiring closets, manufacturing areas, warehouses, or anywhere where heavy networking equipment needs to be protected and maintained usually. Pick up and slot in back holes ensure convenient and quick wall mounting.

- Toughened glass front door
- Double section welded frame structure
- Lockable different kinds of front doors
- Turning angle of front door is over 180 degrees
- Turning angle of rear door is over 90 degrees
- Static loading capacity up to 60kg

The sturdy welded frame construction of WDS Series ensures the durability of this model. The double swing structure also with side panel ensures all access both at front and rear, from left and right, easy to install and maintain.

Key Features

Adjustable Vertical Rails

- Front and rear pairs of vertical rails are freely adjustable which simplifies mounting of the device and organization of connecting cables

Cable Entry Cover

- Cable entry cover provides easy cable entry on both the top and bottom panel

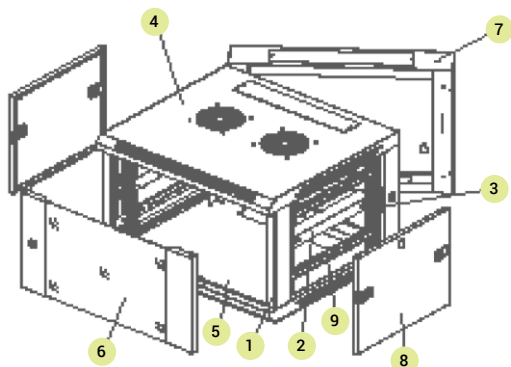
Removable Side Panel

- Removable side panels simplify your installation of accessories and monitoring of IT equipment

Rear Swing Frame

- Optional swing frame allows the cabinet to swing away from the wall for easy access to equipment and cabling

WDS Series Cabinet - Components

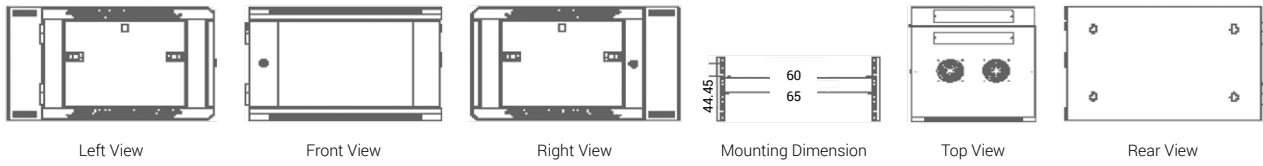


S/N	Name	Quantity
1	Frame	1
2	Horizontal bracket	4
3	Vertical rail	4
4	Top cover	1
5	Bottom panel	1
6	Front door	1
7	Rear swing frame	1
8	Side panel	2
9	L-shaped bracket	2

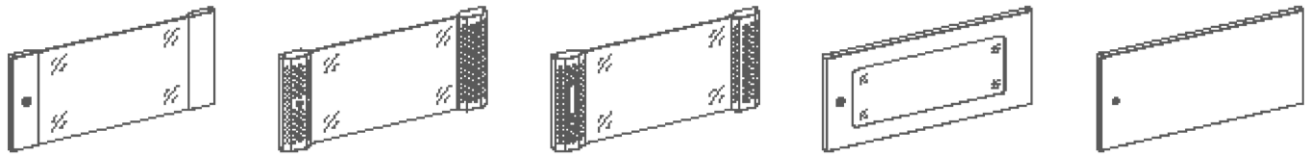


Double Section Wall Mount Cabinet

Main Dimension



Optional Doors



Door: Tempered glass
Lock: Small Round

Door: Tempered glass with vented holes
Lock: Small Round

Door: Tempered glass with vented holes
Lock: Spring

Door: Tempered glass
Lock: Small Round

Door: Solid Iron
Lock: Small Round

Part Number Builder

Part Number Example		Description						
HCS-WDS6522-1X		HUBNETIX CABLINE, WDS Series, 600mm Width, 550mm Depth, 22U Capacity Wall Mount Cabinet						
H	C	S	WDS	6	5	22	1	X
Hubnetix Prefix			Product Code	600mm (W)	550mm (D)	22U Capacity	Door Style	Color

Specification

Part Number	Capacity (U)	Width	Depth	Height
HCS-WDS6604-1X	4	600 mm	600 mm	280 mm
HCS-WDS5506-1X	6	450 mm	550 mm	370 mm
HCS-WDS6506-1X	6	600 mm	550 mm	370 mm
HCS-WDS6606-1X	6	600 mm	600 mm	370 mm
HCS-WDS5509-1X	9	540 mm	550 mm	500 mm
HCS-WDS6509-1X	9	600 mm	550 mm	500 mm
HCS-WDS6609-1X	9	600 mm	600 mm	500 mm
HCS-WDS6512-1X	12	600 mm	550 mm	635 mm
HCS-WDS6612-1X	12	600 mm	600 mm	635 mm
HCS-WDS5515-1X	15	540 mm	550 mm	770 mm
HCS-WDS6515-1X	15	600 mm	550 mm	770 mm
HCS-WDS6615-1X	15	600 mm	600 mm	770 mm
HCS-WDS6518-1X	18	600 mm	550 mm	900 mm
HCS-WDS6618-1X	18	600 mm	600 mm	900 mm
HCS-WDS6522-1X	22	600 mm	550 mm	1080 mm
HCS-WDS6622-1X	22	600 mm	600 mm	1080 mm

Note: Hardware: ≤12U:12 sets cage nuts, >12U:24 sets cage nuts. The swing frame is optional, with depth of 100mm, X=B for Black, G for Grey

Optional Accessories

- Fixed Shelf
- Sliding Shelf
- Cable Management
- Cooling Solution
- Air Flow Management
- PDU

HUBNETIX CORPORATION
71-75, Shelton Street, London, UK.
www.hubnetix.com

The dimensions and specifications in this document are for reference purposes only and are subject to change without notice. Consult HUBNETIX Corp. for the latest dimensions and design specifications.

