

# HUBNETIX WSS Series

## Single Section Wall Mount Cabinet



### Description

Designed to house rack mount equipment for cabling, telecommunications, IT, industrial and home installations, HUBNETIX WSS series is supplied flat-packed, which eases access to the installation site while reducing logistics costs and providing greater protection during transit.

- Toughened glass front door
- Reliable and rigid construction ensure over 60KG static loading capacity

HUBNETIX WSS series wall mounted cabinet is of perfect structure, and extremely easy for assembling.

### Key Features

#### Top Cover with Fans (Optional)

- 120mm\*120mm fans can be preinstalled on the top cover

#### Removable Side Panel

- Removable side panel simplifies your installation of accessories and monitoring of IT Equipment

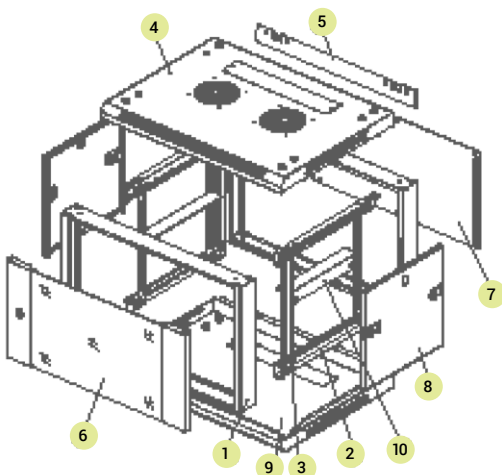
#### Reinforcing Triangle Metal in the Corner

- Reinforcing triangle metal in each corner to make the structure of the rack more solid

#### Easy Cable Entry

- Cable entry on both of top cover and bottom panel

### WSS Series Cabinet - Components

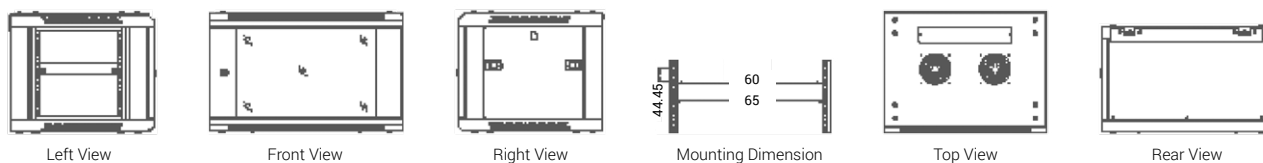


S/N	Name	Quantity
1	Frame	2
2	Horizontal bracket	4
3	Vertical rail	4
4	Top cover	1
5	Bottom panel	1
6	Front door	1
7	Rear panel	1
8	Side panel	2
9	Mounting bracket	1
10	L-shaped bracket	2

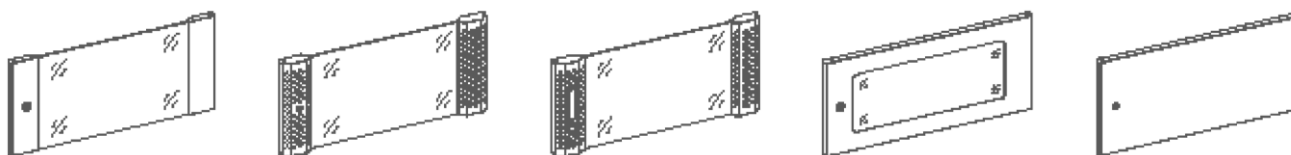
# Single Section Wall Mount Cabinet



## Main Dimension



## Optional Doors



**Door:** Tempered glass  
**Lock:** Small Round

**Door:** Tempered glass with vented holes  
**Lock:** Small Round

**Door:** Tempered glass with vented holes  
**Lock:** Spring

**Door:** Tempered glass  
**Lock:** Small Round

**Door:** Solid Iron  
**Lock:** Small Round

## Part Number Builder

Part Number Example		Description						
<b>HCS-WSS6409-1X</b>		HUBNETIX CABLINE, WSS Series, 600mm Width, 450mm Depth, 09U Capacity Wall Mount Cabinet						
H	C	S	WSS	6	4	09	1	X
Hubnetix Prefix			Product Code	600mm (W)	450mm (D)	09U Capacity	Door Style	Color

## Specification

Part Number	Capacity (U)	Width	Depth	Height
HCS-WSS6406-1X	6	600 mm	450 mm	370 mm
HCS-WSS6506-1X	6	600 mm	500 mm	370 mm
HCS-WSS6606-1X	6	600 mm	600 mm	370 mm
HCS-WSS6409-1X	9	600 mm	450 mm	500 mm
HCS-WSS6509-1X	9	600 mm	500 mm	500 mm
HCS-WSS6609-1X	9	600 mm	600 mm	500 mm
HCS-WSS6412-1X	12	600 mm	450 mm	635 mm
HCS-WSS6512-1X	12	600 mm	500 mm	635 mm
HCS-WSS6612-1X	12	600 mm	600 mm	635 mm
HCS-WSS6415-1X	15	600 mm	450 mm	770 mm
HCS-WSS6515-1X	15	600 mm	500 mm	770 mm
HCS-WSS6615-1X	15	600 mm	600 mm	770 mm
HCS-WSS6418-1X	18	600 mm	450 mm	905 mm
HCS-WSS6518-1X	18	600 mm	500 mm	905 mm
HCS-WSS6618-1X	18	600 mm	600 mm	905 mm
HCS-WSS6522-1X	22	600 mm	500 mm	1040 mm

**Note:** Hardware: ≤12U:12 sets cage nuts, >12U:24 sets cage nuts, X=B for Black, G for Grey

## Optional Accessories

- Fixed Shelf
- Sliding Shelf
- Cable Management
- Cooling Solution
- Air Flow Management
- PDU

**HUBNETIX CORPORATION**  
71-75, Shelton Street, London, UK.  
[www.hubnetix.com](http://www.hubnetix.com)

The dimensions and specifications in this document are for reference purposes only and are subject to change without notice. Consult HUBNETIX Corp. for the latest dimensions and design specifications.

