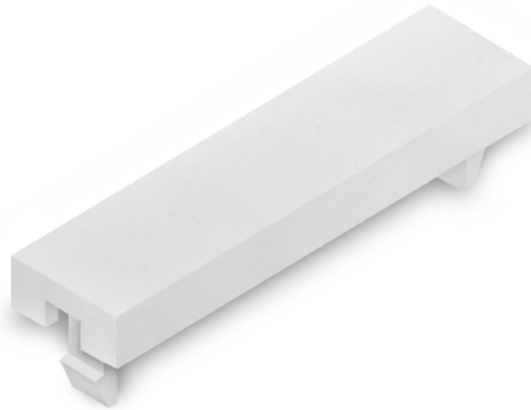


HUBNETIX

12.5X50mm Blank Insert



Physical Characteristics

- Plastic Material : ABS

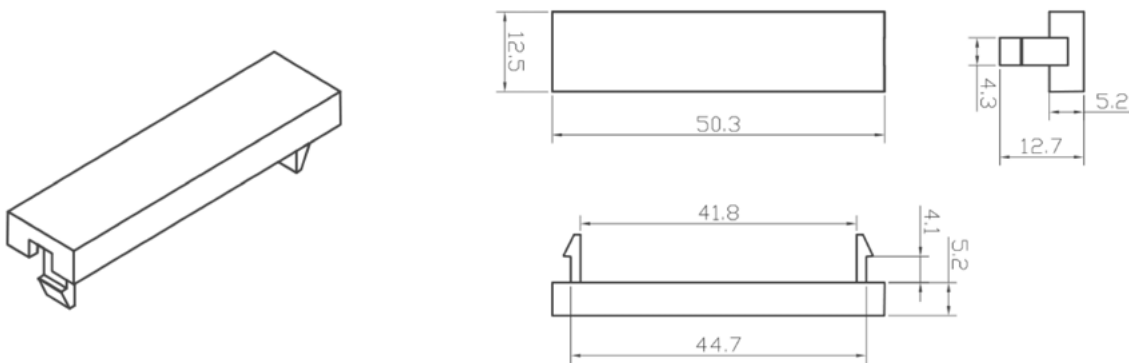
Electrical Characteristics

- Temperature Range : -10°C to 60°C

Applications

- Blank cover fits on a wall plate, commonly uses when there is not enough modules to fill, available in quarter, half and full sizes
- Fits for HUBNETIX faceplate

Structure



Ordering Info

Part Number	Description
HLY-B1250-XX	HUBNETIX 12.5x50mm Faceplate Blank Insert
HLY-B2550-XX	HUBNETIX 25 x 50 mm Faceplate Blank Insert
HLY-B5050-XX	HUBNETIX 50 x 50 mm Faceplate Blank Insert

•XX-BK(Black), BL(Blue), GN(Green), GY(Gray), RD(Red), WH(White), YL(Yellow)

HUBNETIX CORPORATION
71-75, Shelton Street, London, UK.
www.hubnetix.com

The dimensions and specifications in this document are for reference purposes only and are subject to change without notice. Consult HUBNETIX Corp. for the latest dimensions and design specifications.

