
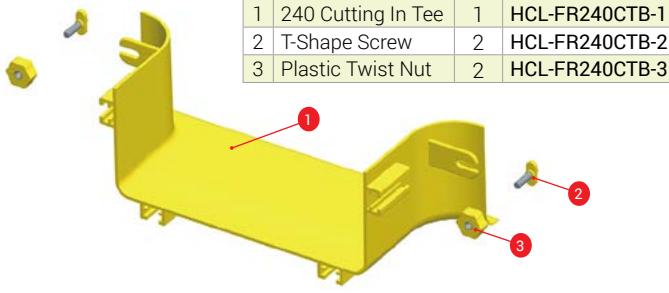

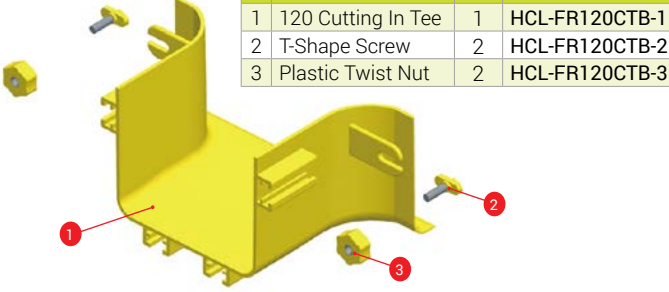


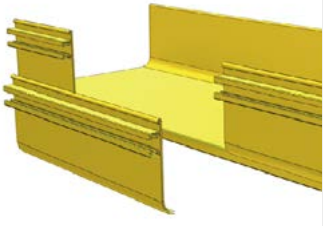
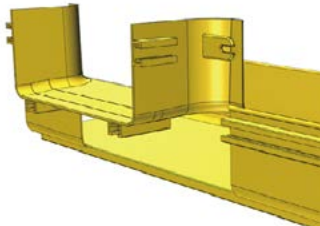
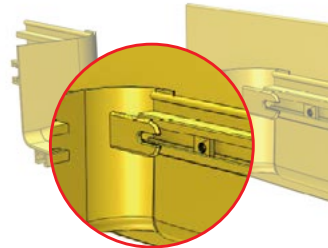
# HUBNETIX - Fibre Raceway

## Horizontal In Tee



240 Cutting In Tee		Part Number		HCL-FR240CTB		
		<b>Width</b>		<b>Height</b>		<b>Material</b>
		MM	INCH	MM	INCH	
		240	10	100	4	PVC / ABS
		<ul style="list-style-type: none"> <li>Attaches to 4"x10" channel to create a 90° horizontal elbow from anywhere of a straight horizontal run</li> </ul>				
#	Part Name	Nos	Part Number			
1	240 Cutting In Tee	1	HCL-FR240CTB-1			
2	T-Shape Screw	2	HCL-FR240CTB-2			
3	Plastic Twist Nut	2	HCL-FR240CTB-3			
						

120 Cutting In Tee		Part Number		HCL-FR120CTB		
		<b>Width</b>		<b>Height</b>		<b>Material</b>
		MM	INCH	MM	INCH	
		120	5	100	4	PVC / ABS
		<ul style="list-style-type: none"> <li>Attaches to 4"x5" channel to create a 90° horizontal elbow from anywhere of a straight horizontal run</li> </ul>				
#	Part Name	Nos	Part Number			
1	120 Cutting In Tee	1	HCL-FR120CTB-1			
2	T-Shape Screw	2	HCL-FR120CTB-2			
3	Plastic Twist Nut	2	HCL-FR120CTB-3			
						

Cutting In Tee Installation			
<p>1</p> 	<p>2</p> 	<p>3</p> 	<p>4</p> 