

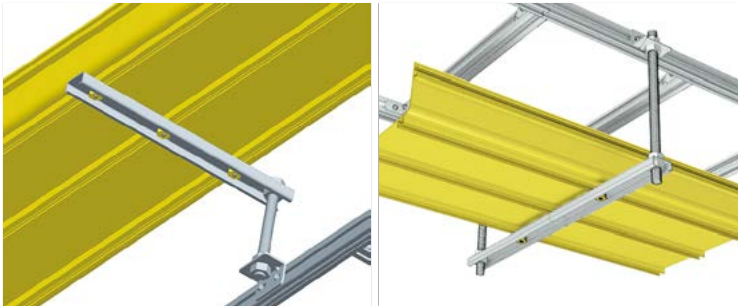
HUBNETIX - Fibre Raceway Support



450-1 Ladder Rack Support Kit

Part Number

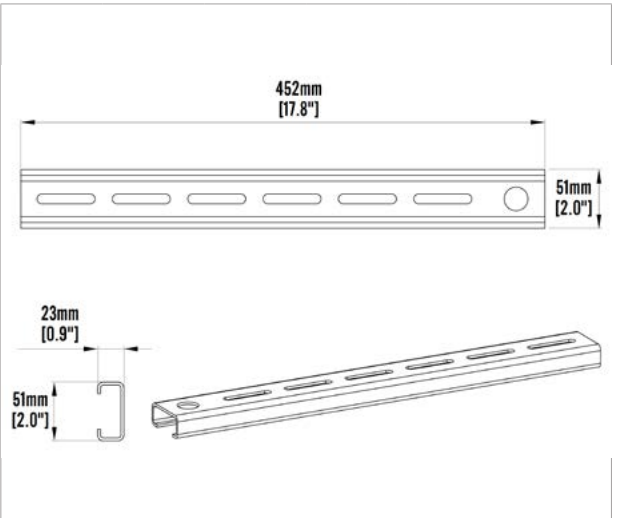
HCL-FR450LSK



Width		Height		Material
MM	INCH	MM	INCH	
450	18	51	2	STEEL

- used to support the 4"x15" system by spanning two existing threaded rod drops
- Can be installed from above or below

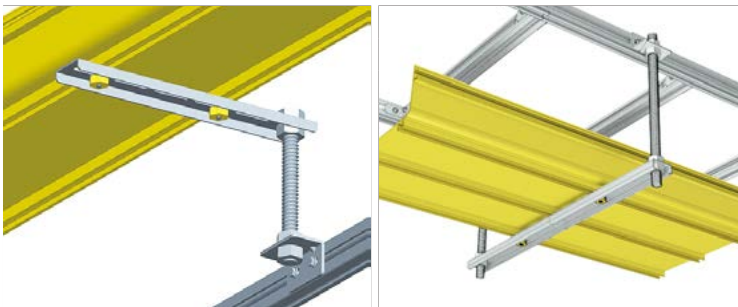
#	Part Name	Nos	Part Number
1	450 Support Bar	1	HCL-FR450LSK-1
2	M20 *200Mm Threaded Rod	1	HCL-FR450LSK-2
3	L-Steel	1	HCL-FR450LSK-3
4	M20 Nut	4	HCL-FR450LSK-4
5	M6*14 Flange Screw	2	HCL-FR450LSK-5
6	M6 Waist-Shape Nut	2	HCL-FR450LSK-6
7	T-Shape Screw	3	HCL-FR450LSK-7
8	Plastic Twist Nut	3	HCL-FR450LSK-8



300-1 Ladder Rack Support Kit

Part Number

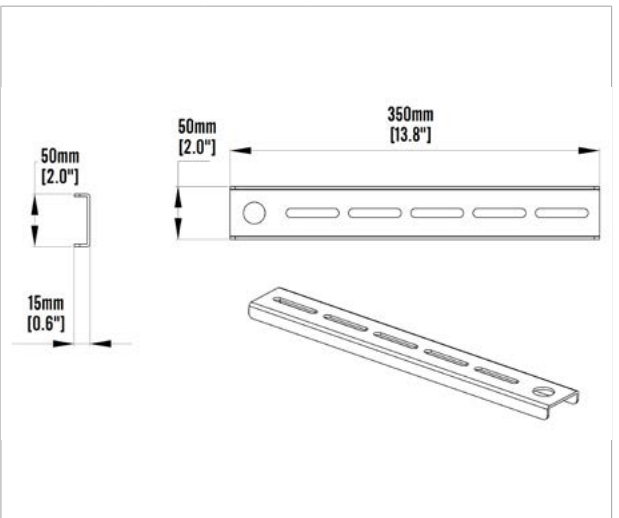
HCL-FR300LSK



Width		Height		Material
MM	INCH	MM	INCH	
350	14	50	2	STEEL

- used to support the 4"x10" system by spanning two existing threaded rod drops
- Can be installed from above or below

#	Part Name	Nos	Part Number
1	300 Support Bar	1	HCL-FR300LSK-1
2	M20 *200Mm Threaded Rod	1	HCL-FR300LSK-2
3	L-Steel	2	HCL-FR300LSK-3
4	M20 Nut	4	HCL-FR300LSK-4
5	M6*14 Flange Screw	2	HCL-FR300LSK-5
6	M6 Waist-Shape Nut	2	HCL-FR300LSK-6
7	T-Shape Screw	2	HCL-FR300LSK-7
8	Plastic Twist Nut	2	HCL-FR300LSK-8



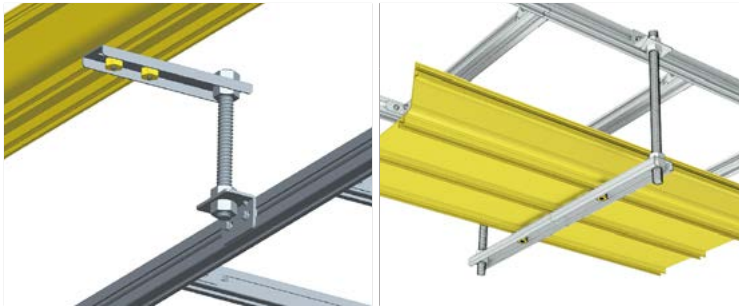
HUBNETIX - Fibre Raceway Support



230-1 Ladder Rack Support Kit

Part Number

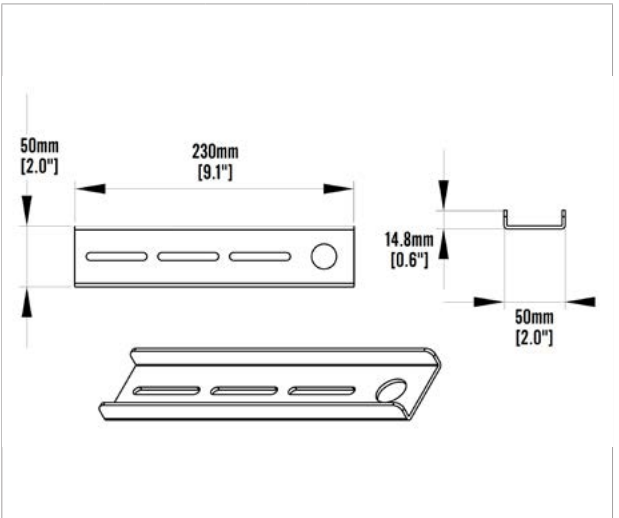
HCL-FR230LSK



Width		Height		Material
MM	INCH	MM	INCH	
230	9	50	2	STEEL

- used to support the 4"x5" system by spanning two existing threaded rod drops
- Can be installed from above or below

#	Part Name	Nos	Part Number
1	230 Support Bar	1	HCL-FR230LSK-1
2	M20 *200Mm Threaded Rod	1	HCL-FR230LSK-2
3	L-Steel	2	HCL-FR230LSK-3
4	M20 Nut	4	HCL-FR230LSK-4
5	M6*14 Flange Screw	2	HCL-FR230LSK-5
6	M6 Waist-Shape Nut	2	HCL-FR230LSK-6
7	T-Shape Screw	2	HCL-FR230LSK-7
8	Plastic Twist Nut	2	HCL-FR230LSK-8



Ladder Rack Support Kit Installation

