

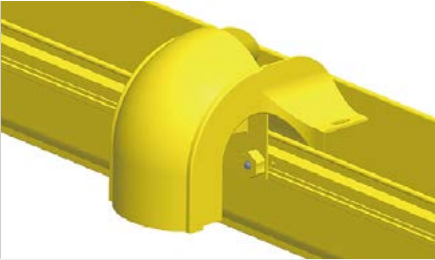
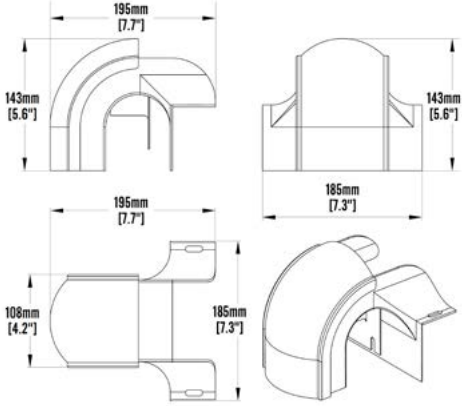
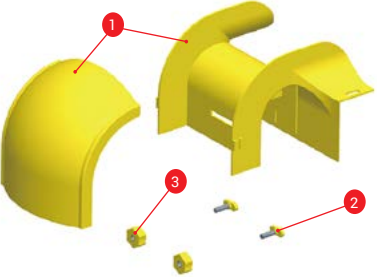


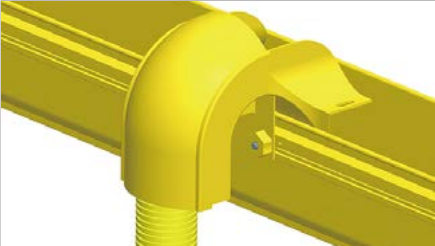
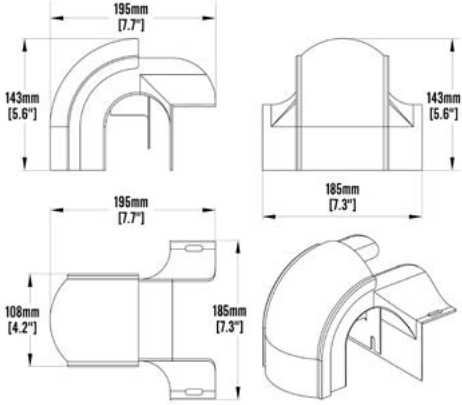
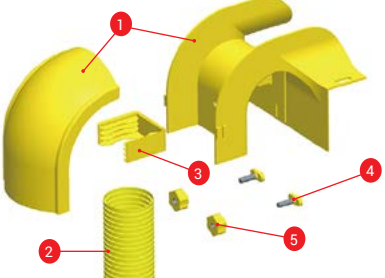


HUBNETIX - Fibre Raceway Downspout


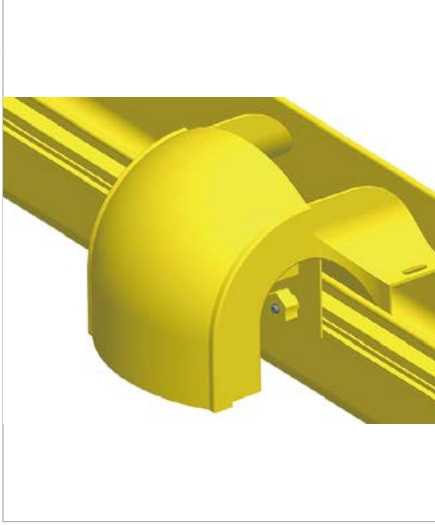
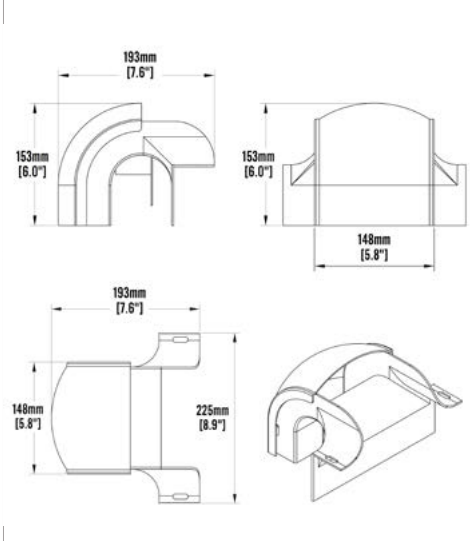
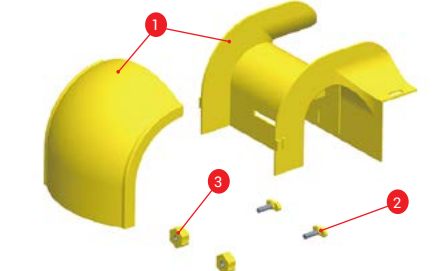


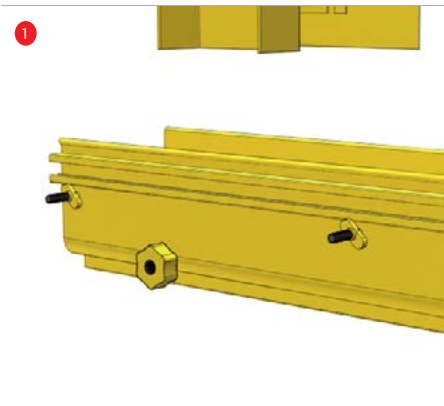
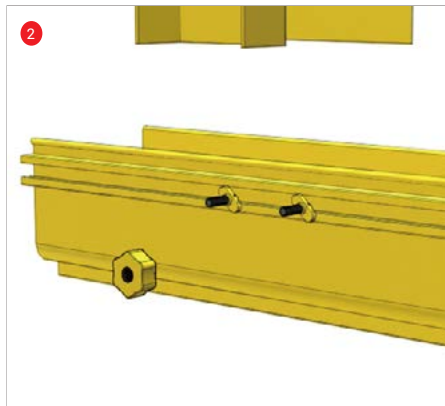
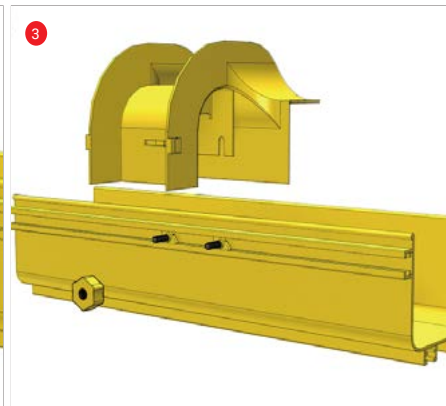
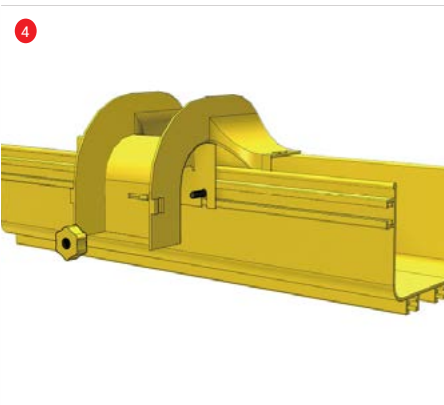
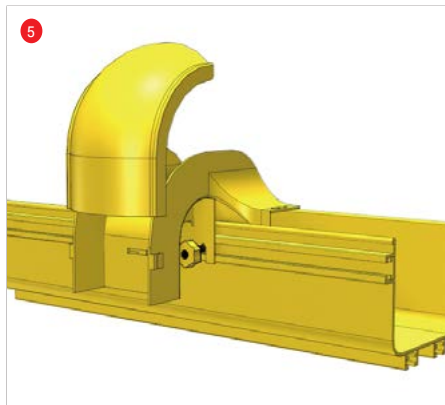
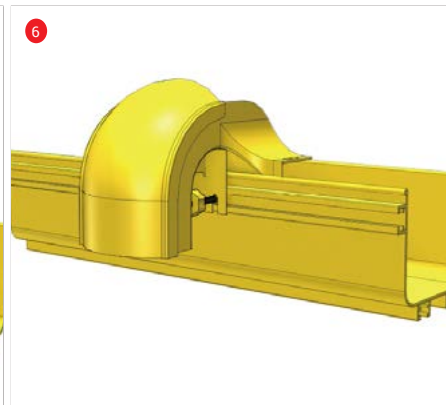
90 Movable Exit Without Corrugated Pipe Kit		Part Number		HCL-FR90DSA																	
		Width		Height																	
		MM	INCH	MM	INCH	Material															
		90	3.6	143	5.6	PVC / ABS															
		<ul style="list-style-type: none"> Assembles onto 4"x5", 4"x10", 4"x15" channel, spilling over the side into a 90mm movable exit with corrugated pipe 																			
																					
		<table border="1" style="width:100%; border-collapse: collapse;"> <thead> <tr style="background-color: #92d050;"> <th>#</th> <th>Part Name</th> <th>Nos</th> <th>Part Number</th> </tr> </thead> <tbody> <tr> <td style="text-align: center;">1</td> <td>90 Movable Exit</td> <td style="text-align: center;">1</td> <td>HCL-FR90DSA-1</td> </tr> <tr> <td style="text-align: center;">2</td> <td>T-Shape Screw</td> <td style="text-align: center;">2</td> <td>HCL-FR90DSA-2</td> </tr> <tr> <td style="text-align: center;">3</td> <td>Plastic Twist Nut</td> <td style="text-align: center;">2</td> <td>HCL-FR90DSA-3</td> </tr> </tbody> </table>				#	Part Name	Nos	Part Number	1	90 Movable Exit	1	HCL-FR90DSA-1	2	T-Shape Screw	2	HCL-FR90DSA-2	3	Plastic Twist Nut	2	HCL-FR90DSA-3
#	Part Name	Nos	Part Number																		
1	90 Movable Exit	1	HCL-FR90DSA-1																		
2	T-Shape Screw	2	HCL-FR90DSA-2																		
3	Plastic Twist Nut	2	HCL-FR90DSA-3																		

90 Movable Exit With Corrugated Pipe Kit		Part Number		HCL-FR90DSCP																									
		Width		Height																									
		MM	INCH	MM	INCH	Material																							
		90	3.6	143	5.6	PVC / ABS																							
		<ul style="list-style-type: none"> Assembles onto 4"x5", 4"x10", 4"x15" channel, spilling over the side into a 90mm movable exit with corrugated pipe 																											
																													
		<table border="1" style="width:100%; border-collapse: collapse;"> <thead> <tr style="background-color: #92d050;"> <th>#</th> <th>Part Name</th> <th>Nos</th> <th>Part Number</th> </tr> </thead> <tbody> <tr> <td style="text-align: center;">1</td> <td>90 Movable Exit</td> <td style="text-align: center;">1</td> <td>HCL-FR90DSCP-1</td> </tr> <tr> <td style="text-align: center;">2</td> <td>Corrugated Pipe</td> <td style="text-align: center;">1</td> <td>HCL-FR90DSCP-2</td> </tr> <tr> <td style="text-align: center;">3</td> <td>Pipe Fixer</td> <td style="text-align: center;">1</td> <td>HCL-FR90DSCP-3</td> </tr> <tr> <td style="text-align: center;">4</td> <td>T-Shape Screw</td> <td style="text-align: center;">2</td> <td>HCL-FR90DSCP-4</td> </tr> <tr> <td style="text-align: center;">5</td> <td>Plastic Twist Nut</td> <td style="text-align: center;">2</td> <td>HCL-FR90DSCP-5</td> </tr> </tbody> </table>				#	Part Name	Nos	Part Number	1	90 Movable Exit	1	HCL-FR90DSCP-1	2	Corrugated Pipe	1	HCL-FR90DSCP-2	3	Pipe Fixer	1	HCL-FR90DSCP-3	4	T-Shape Screw	2	HCL-FR90DSCP-4	5	Plastic Twist Nut	2	HCL-FR90DSCP-5
#	Part Name	Nos	Part Number																										
1	90 Movable Exit	1	HCL-FR90DSCP-1																										
2	Corrugated Pipe	1	HCL-FR90DSCP-2																										
3	Pipe Fixer	1	HCL-FR90DSCP-3																										
4	T-Shape Screw	2	HCL-FR90DSCP-4																										
5	Plastic Twist Nut	2	HCL-FR90DSCP-5																										

HUBNETIX - Fibre Raceway Downspout



130 Movable Exit Kit		Part Number	HCL-FR130ME																				
		<table border="1" style="width: 100%; border-collapse: collapse;"> <thead> <tr> <th colspan="2" style="text-align: center;">Width</th> <th colspan="2" style="text-align: center;">Height</th> <th style="text-align: center;">Material</th> </tr> <tr> <th style="text-align: center;">MM</th> <th style="text-align: center;">INCH</th> <th style="text-align: center;">MM</th> <th style="text-align: center;">INCH</th> <th style="text-align: center;"></th> </tr> </thead> <tbody> <tr> <td style="text-align: center;">130</td> <td style="text-align: center;">5.2</td> <td style="text-align: center;">153</td> <td style="text-align: center;">6</td> <td style="text-align: center;">PVC / ABS</td> </tr> </tbody> </table>				Width		Height		Material	MM	INCH	MM	INCH		130	5.2	153	6	PVC / ABS	<ul style="list-style-type: none"> Assembles onto 4"x5", 4"x10", 4"x15" channel, spilling over the side into a 130mm movable exit 		
		Width		Height		Material																	
MM	INCH	MM	INCH																				
130	5.2	153	6	PVC / ABS																			
																							
	<table border="1" style="width: 100%; border-collapse: collapse;"> <thead> <tr style="background-color: #92d050;"> <th>#</th> <th>Part Name</th> <th>Nos</th> <th>Part Number</th> </tr> </thead> <tbody> <tr> <td style="text-align: center;">1</td> <td>130 Movable Exit</td> <td style="text-align: center;">1</td> <td>HCL-FR130ME-1</td> </tr> <tr> <td style="text-align: center;">2</td> <td>T-Shape Screw</td> <td style="text-align: center;">2</td> <td>HCL-FR130ME-2</td> </tr> <tr> <td style="text-align: center;">3</td> <td>Plastic Twist Nut</td> <td style="text-align: center;">2</td> <td>HCL-FR130ME-3</td> </tr> </tbody> </table>	#	Part Name	Nos	Part Number	1	130 Movable Exit	1	HCL-FR130ME-1	2	T-Shape Screw	2	HCL-FR130ME-2	3	Plastic Twist Nut	2	HCL-FR130ME-3						
#	Part Name	Nos	Part Number																				
1	130 Movable Exit	1	HCL-FR130ME-1																				
2	T-Shape Screw	2	HCL-FR130ME-2																				
3	Plastic Twist Nut	2	HCL-FR130ME-3																				

130 Movable Exit Kit Installation					
 <p style="text-align: center; color: red; font-weight: bold;">1</p>	 <p style="text-align: center; color: red; font-weight: bold;">2</p>	 <p style="text-align: center; color: red; font-weight: bold;">3</p>			
 <p style="text-align: center; color: red; font-weight: bold;">4</p>	 <p style="text-align: center; color: red; font-weight: bold;">5</p>	 <p style="text-align: center; color: red; font-weight: bold;">6</p>			

HUBNETIX - Fibre Raceway

Downspout



120 Trumpet Spillover Kit

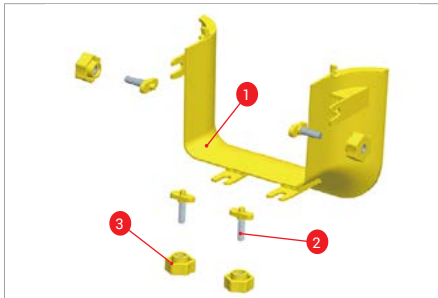
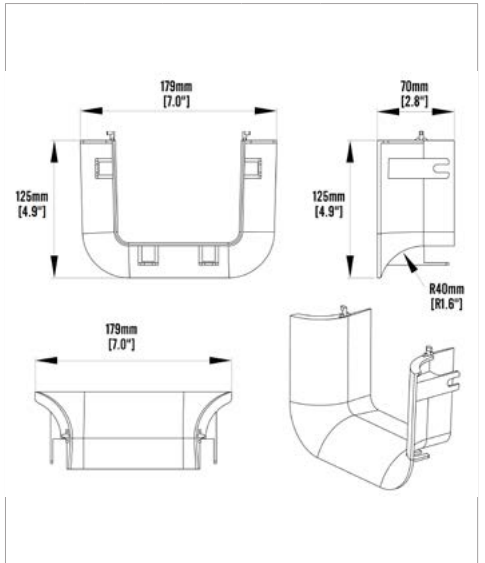
Part Number

HCL-FR120TS



Width		Height		Material
MM	INCH	MM	INCH	
120	5	125	5	PVC / ABS

- Used to limit the bend radius of the cable to 2" (50.8mm) when exiting from 4"x5" channel, 4"x5" horizontal tee fitting, or 4"x5" exit on 4"x10" vertical tee



#	Part Name	Nos	Part Number
1	120 Trumpet Spillover	1	HCL-FR120TS-1
2	T-Shape Screw	2	HCL-FR120TS-2
3	Plastic Twist Nut	2	HCL-FR120TS-3

120 Trumpet Spillover Kit Installation

