
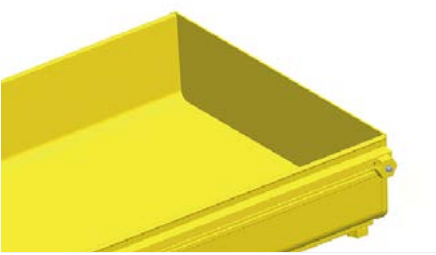
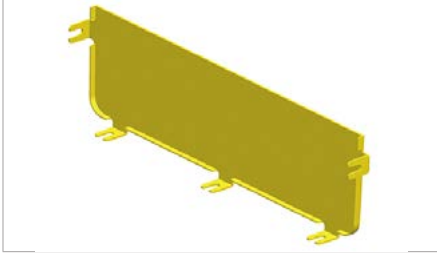
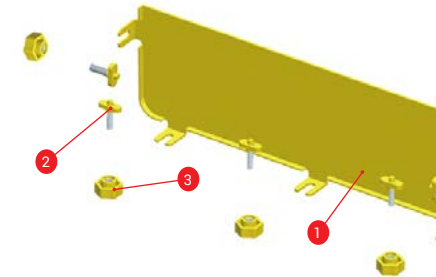


HUBNETIX - Fibre Raceway

End Cap



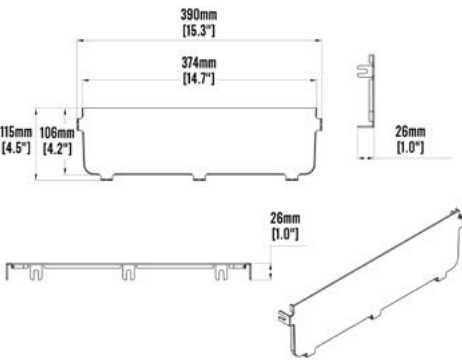
360 End Cap Kit	Part Number	HCL-FR360ECK
------------------------	--------------------	---------------------

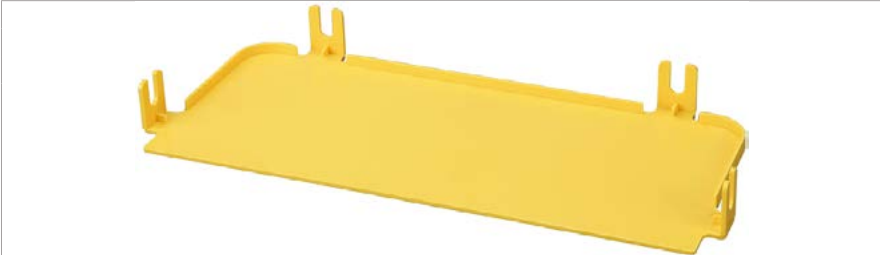
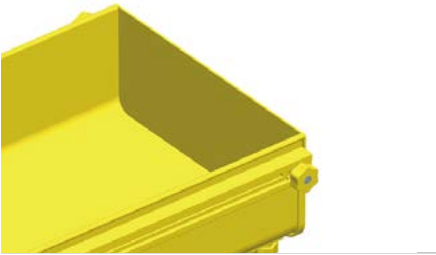
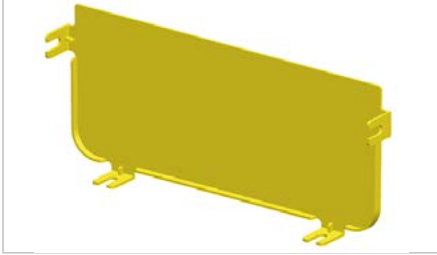
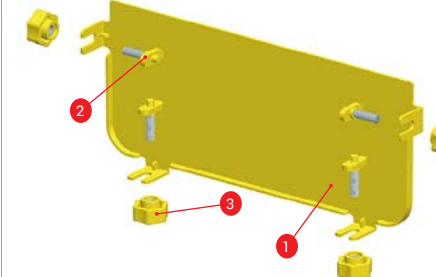
#	Part Name	Nos	Part Number
1	360 End Cap	1	HCL-FR360ECK-1
2	T-Shape Screw	2	HCL-FR360ECK-2
3	Plastic Twist Nut	2	HCL-FR360ECK-3

Width		Height		Material
MM	INCH	MM	INCH	
360	15	100	4	PVC / ABS

- Used for closing off open ends of the channel or fittings



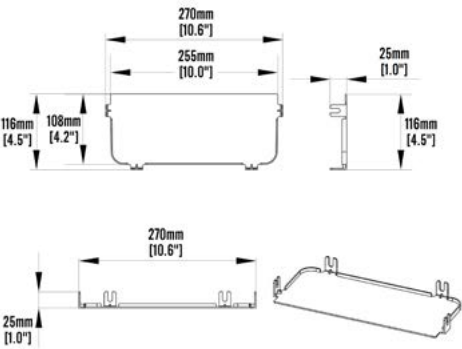
240 End Cap Kit	Part Number	HCL-FR240ECK
------------------------	--------------------	---------------------

#	Part Name	Nos	Part Number
1	240 End Cap	1	HCL-FR240ECK-1
2	T-Shape Screw	4	HCL-FR240ECK-2
3	Plastic Twist Nut	4	HCL-FR240ECK-3

Width		Height		Material
MM	INCH	MM	INCH	
240	10	100	4	PVC / ABS

- Used for closing off open ends of the channel or fittings



HUBNETIX - Fibre Raceway

End Cap



120 End Cap Kit		Part Number		HCL-FR120ECK																	
		Width		Height																	
		MM	INCH	MM	INCH	Material															
		120	5	100	4	PVC / ABS															
		<ul style="list-style-type: none"> Used for closing off open ends of the channel or fittings 																			
		<table border="1"> <thead> <tr> <th>#</th> <th>Part Name</th> <th>Nos</th> <th>Part Number</th> </tr> </thead> <tbody> <tr> <td>1</td> <td>120 End Cap</td> <td>1</td> <td>HCL-FR120ECK-1</td> </tr> <tr> <td>2</td> <td>T-Shape Screw</td> <td>2</td> <td>HCL-FR120ECK-2</td> </tr> <tr> <td>3</td> <td>Plastic Twist Nut</td> <td>2</td> <td>HCL-FR120ECK-3</td> </tr> </tbody> </table>		#	Part Name	Nos	Part Number	1	120 End Cap	1	HCL-FR120ECK-1	2	T-Shape Screw	2	HCL-FR120ECK-2	3	Plastic Twist Nut	2	HCL-FR120ECK-3		
#	Part Name	Nos	Part Number																		
1	120 End Cap	1	HCL-FR120ECK-1																		
2	T-Shape Screw	2	HCL-FR120ECK-2																		
3	Plastic Twist Nut	2	HCL-FR120ECK-3																		

End Cap Kit Installation

-
-
-
-
-