

HUBNETIX - Fibre Raceway

Horizontal Tee



360 Horizontal Tee		Part Number	HCL-FR360HTB														
		<table border="1"> <thead> <tr> <th colspan="2">Width</th> <th colspan="2">Height</th> <th rowspan="2">Material</th> </tr> <tr> <th>MM</th> <th>INCH</th> <th>MM</th> <th>INCH</th> </tr> </thead> <tbody> <tr> <td>360</td> <td>15</td> <td>100</td> <td>4</td> <td>PVC / ABS</td> </tr> </tbody> </table>		Width		Height		Material	MM	INCH	MM	INCH	360	15	100	4	PVC / ABS
		Width		Height		Material											
MM	INCH	MM	INCH														
360	15	100	4	PVC / ABS													
<ul style="list-style-type: none"> Attaches to 4"x15" channel and/or fittings to create a 90° horizontal branch from a straight horizontal run 																	
360 Horizontal Tee Cross Cover		Part Number	HCL-FR360HTC														

240 Horizontal Tee		Part Number	HCL-FR240HTB														
		<table border="1"> <thead> <tr> <th colspan="2">Width</th> <th colspan="2">Height</th> <th rowspan="2">Material</th> </tr> <tr> <th>MM</th> <th>INCH</th> <th>MM</th> <th>INCH</th> </tr> </thead> <tbody> <tr> <td>240</td> <td>10</td> <td>100</td> <td>4</td> <td>PVC / ABS</td> </tr> </tbody> </table>		Width		Height		Material	MM	INCH	MM	INCH	240	10	100	4	PVC / ABS
		Width		Height		Material											
MM	INCH	MM	INCH														
240	10	100	4	PVC / ABS													
<ul style="list-style-type: none"> Attaches to 4"x10" channel and/or fittings to create a 90° horizontal branch from a straight horizontal run 																	
240 Horizontal Tee Cross Cover		Part Number	HCL-FR240HTC														

HUBNETIX - Fibre Raceway

Horizontal Tee

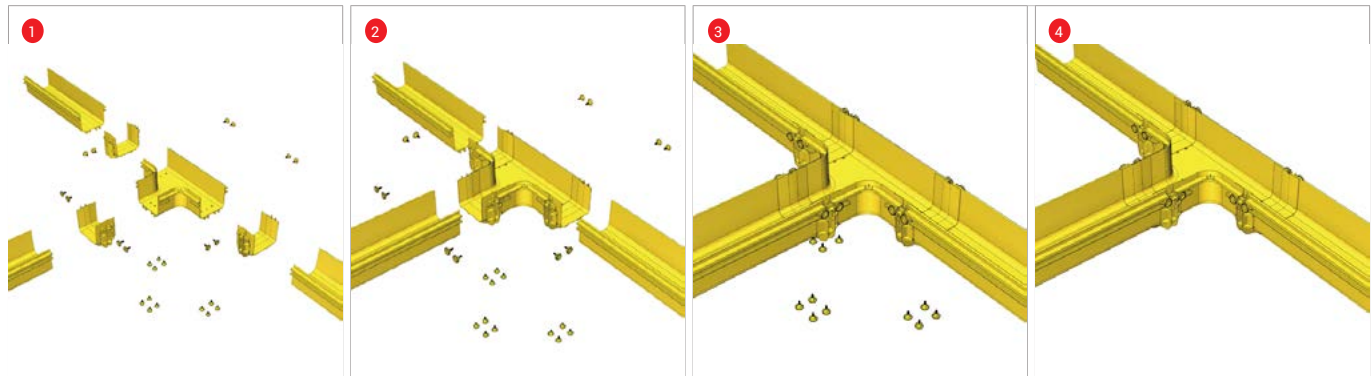


120 Horizontal Tee		Part Number		HCL-FR120HTB		
		Width		Height		
		MM	INCH	MM	INCH	Material
		120	5	100	4	PVC / ABS
<ul style="list-style-type: none"> Attaches to 4"x5" channel and/or fittings to create a 90° horizontal branch from a straight horizontal run 						



120 Horizontal Tee Cross Cover		Part Number		HCL-FR120HTC		
		Width		Height		
		MM	INCH	MM	INCH	Material
		352mm	13.9"	257mm	10.1"	
		Width		Height		
		MM	INCH	MM	INCH	Material
		352mm	13.9"	257mm	10.1"	

Horizontal Tee Installation



Horizontal Tee Cross Cover Installation

