
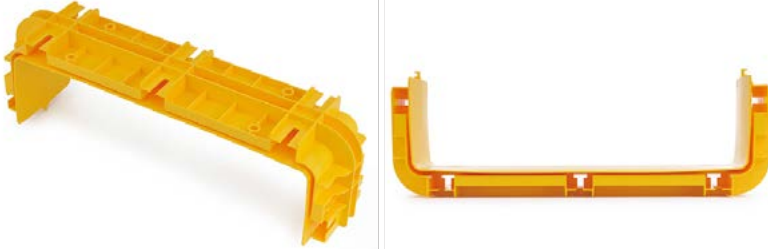
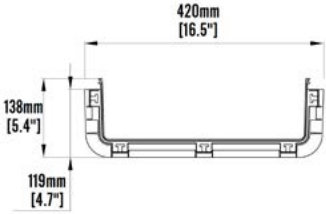
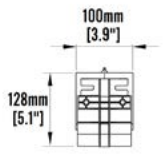
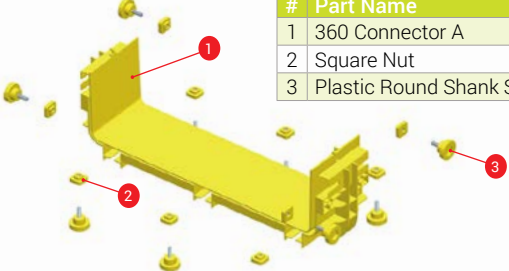
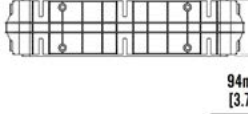
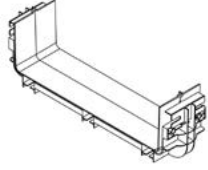
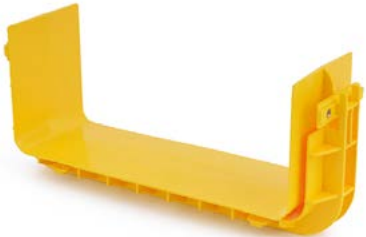

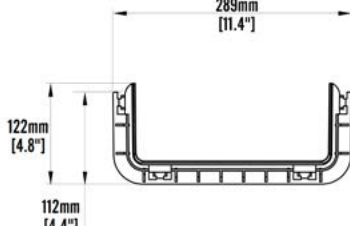
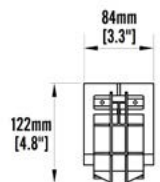
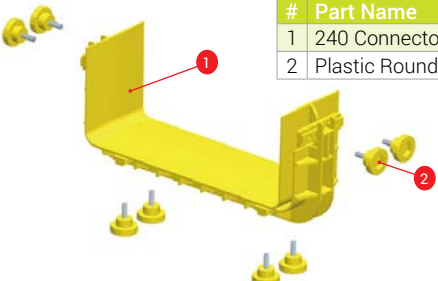
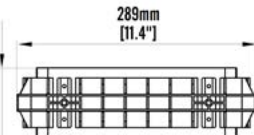
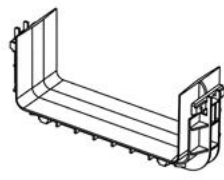


HUBNETIX - Fibre Raceway Junction



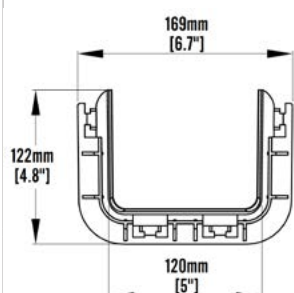
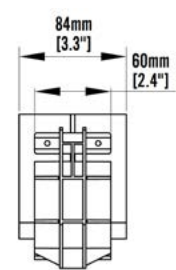
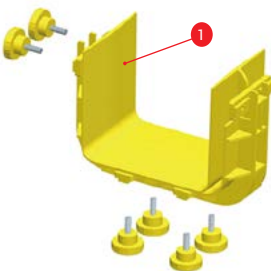

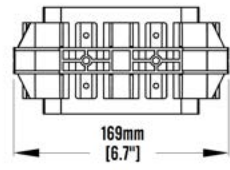


360 Connector A Kit		Part Number		HCL-FR360CA																		
		Width		Height		Material																
		MM	INCH	MM	INCH	PVC / ABS																
		360	15	100	4	PVC / ABS																
		<ul style="list-style-type: none"> Quickly joins two sections of channel and/or fittings Tighten and release bolts by fingers, absolutely toolless 																				
																						
		<table border="1" style="width:100%; border-collapse: collapse;"> <thead> <tr style="background-color: #92d050;"> <th>#</th> <th>Part Name</th> <th>Nos</th> <th>Part Number</th> </tr> </thead> <tbody> <tr> <td style="text-align: center;">1</td> <td>360 Connector A</td> <td style="text-align: center;">1</td> <td>HCL-FR360CA-1</td> </tr> <tr> <td style="text-align: center;">2</td> <td>Square Nut</td> <td style="text-align: center;">10</td> <td>HCL-FR360CA-2</td> </tr> <tr> <td style="text-align: center;">3</td> <td>Plastic Round Shank Screw</td> <td style="text-align: center;">10</td> <td>HCL-FR360CA-3</td> </tr> </tbody> </table>					#	Part Name	Nos	Part Number	1	360 Connector A	1	HCL-FR360CA-1	2	Square Nut	10	HCL-FR360CA-2	3	Plastic Round Shank Screw	10	HCL-FR360CA-3
#	Part Name	Nos	Part Number																			
1	360 Connector A	1	HCL-FR360CA-1																			
2	Square Nut	10	HCL-FR360CA-2																			
3	Plastic Round Shank Screw	10	HCL-FR360CA-3																			
																						

240 Connector B Kit		Part Number		HCL-FR240CB														
		Width		Height		Material												
		MM	INCH	MM	INCH	PVC / ABS												
		240	10	100	4	PVC / ABS												
		<ul style="list-style-type: none"> Quickly joins two sections of channel and/or fittings Tighten and release bolts by fingers, absolutely toolless 																
																		
		<table border="1" style="width:100%; border-collapse: collapse;"> <thead> <tr style="background-color: #92d050;"> <th>#</th> <th>Part Name</th> <th>Nos</th> <th>Part Number</th> </tr> </thead> <tbody> <tr> <td style="text-align: center;">1</td> <td>240 Connector B</td> <td style="text-align: center;">1</td> <td>HCL-FR240CB-1</td> </tr> <tr> <td style="text-align: center;">2</td> <td>Plastic Round Shank Screw</td> <td style="text-align: center;">8</td> <td>HCL-FR240CB-2</td> </tr> </tbody> </table>					#	Part Name	Nos	Part Number	1	240 Connector B	1	HCL-FR240CB-1	2	Plastic Round Shank Screw	8	HCL-FR240CB-2
#	Part Name	Nos	Part Number															
1	240 Connector B	1	HCL-FR240CB-1															
2	Plastic Round Shank Screw	8	HCL-FR240CB-2															
																		

HUBNETIX - Fibre Raceway Junction



120 Connector B Kit		Part Number		HCL-FR120CB													
		Width		Height													
		MM	INCH	MM	INCH	Material											
		120	5	100	4	PVC / ABS											
		<ul style="list-style-type: none"> Quickly joins two sections of channel and/or fittings Tighten and release bolts by fingers, absolutely toolless 															
																	
		<table border="1"> <thead> <tr> <th>#</th> <th>Part Name</th> <th>Nos</th> <th>Part Number</th> </tr> </thead> <tbody> <tr> <td>1</td> <td>120 Connector B</td> <td>1</td> <td>HCL-FR120CB-1</td> </tr> <tr> <td>2</td> <td>Plastic Round Shank Screw</td> <td>8</td> <td>HCL-FR120CB-2</td> </tr> </tbody> </table>				#	Part Name	Nos	Part Number	1	120 Connector B	1	HCL-FR120CB-1	2	Plastic Round Shank Screw	8	HCL-FR120CB-2
#	Part Name	Nos	Part Number														
1	120 Connector B	1	HCL-FR120CB-1														
2	Plastic Round Shank Screw	8	HCL-FR120CB-2														
																	

Installation Demonstration

